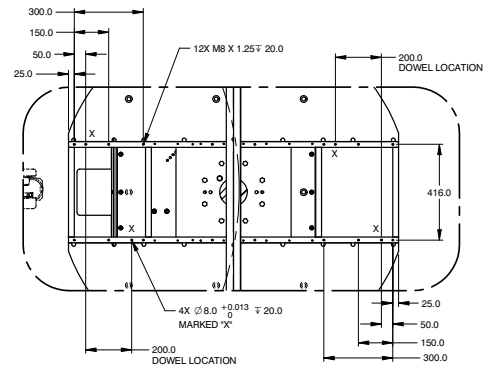
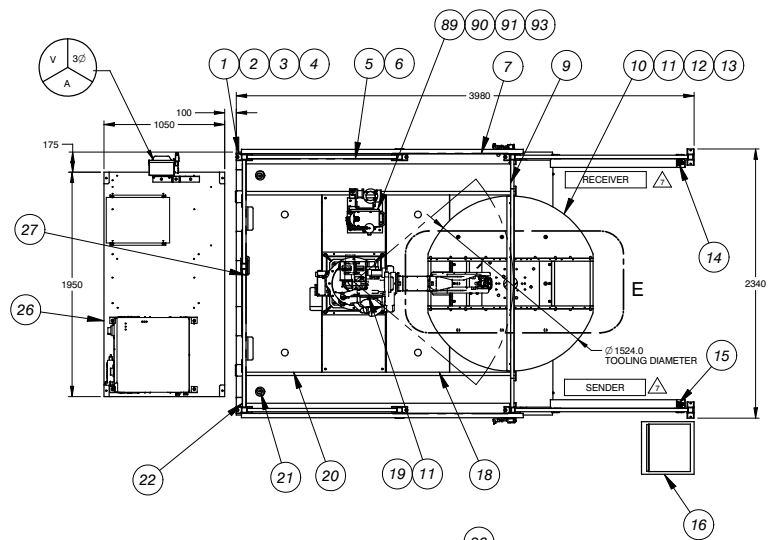
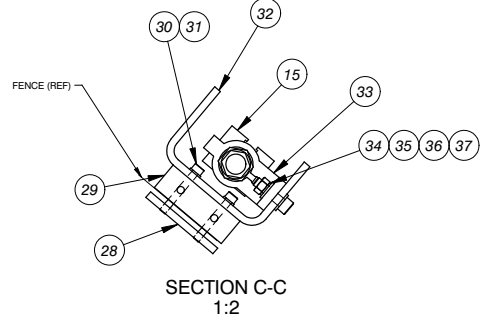


NOTES:

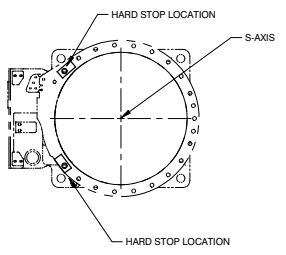
- 1 ALL DIMENSIONS ARE REFERENCE ONLY. FOR POSITIONER TABLE TOOLING CONSTRUCTION DIMENSIONS, CONTACT MOTOMAN, INC.
- △ GENERAL INSTALLATION SEQUENCE:
 A. STABILIZE AND LAG AT LOCATIONS DEFINED ON SUGGESTED CELL MOUNTING PLAN.
 B. CONNECT POWER/CONTROL CABLES PER SHEETS 101 AND 102.
 C. LOCATE OPERATORS STATION FOR OPERATOR CONVENIENCE WITHIN MAXIMUM REACH OF MOTOMAN SUPPLIED CABLES.
- 3 RESTRICT S-AXIS LIMIT OF ROBOT AS SHOWN IN VIEW D-D USING ROBOT BASE HARD STOPS.
- 4 BECAUSE MOTOMAN INC IS CONSTANTLY IMPROVING PRODUCTS, MOTOMAN RESERVES THE RIGHT TO CHANGE DESIGN AND/OR SPECIFICATIONS WITHOUT NOTICE.
- 5 POSITIONER SPECIFICATIONS:
 RATED 180 DEGREE SWEEP TIME: 4 SEC
 RATED PAYLOAD: 300 KG PER SIDE
- △ TIE WRAP OF STATION AND LIGHT CURTAIN CABLES TO BOTTOM OF FENCE PANEL
- △ LABEL AS SHOWN.
- 9 CELL ASSEMBLY HAS BEEN EVALUATED TO ENSURE SAFETY REQUIREMENTS IN ACCORDANCE WITH ANSI/RIA R15.06
- 10 SEE SHEET 103 FOR ELECTRICAL REQUIREMENTS.
- 11 REFERENCE STANDARD DRAWING 149237.



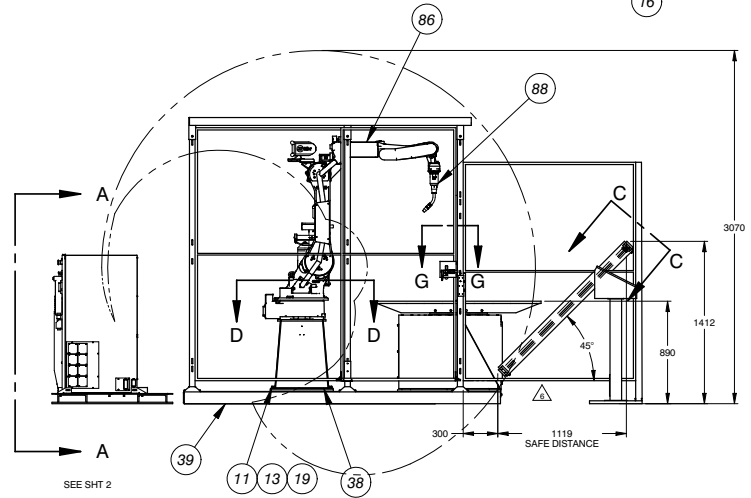
DETAIL
1:10
MOUNTING INTERFACE



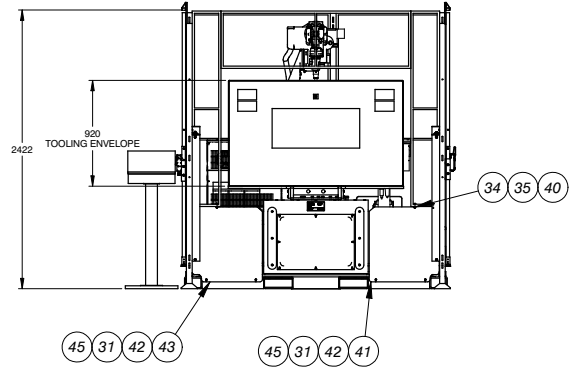
SECTION C-C
1:2



VIEW D-D
ROBOT BASE
E41900N
S-AXIS
ROTATION LIMITS
SCALE 1:10



VIEW G-G
1:2



CHANGE RECORD				FILE NAME	DESIGNED	HCN CODE
1	E.C.N.	DATE	APPROVAL	81890A001.dft	CM	091
2						
3						
4						
5						
6						
7						
8						
9						
10						
11						
12						

MOTOMAN WEST CARROLLTON, OHIO 45449 USA
 a YASKAWA company

CELL ASSY, AW-1000, NX100 CONSTRUCTION PRODUCTS, INC

DWG SIZE	DWG REV	SCALE	DWG NO	SHEET 1 OF 2
A1		1:20	81888A001	

CONFIDENTIAL: THIS DRAWING CONTAINS A PROPRIETARY DESIGN ORIGINATED BY MOTOMAN INCORPORATED. NEITHER IT NOR THE INFORMATION APPEARING HEREON SHALL BE DISCLOSED, USED, OR DUPLICATED FOR ANY PURPOSE UNLESS SPECIFICALLY AUTHORIZED BY MOTOMAN INCORPORATED. THIS DRAWING IS THE PROPERTY OF MOTOMAN INCORPORATED AND SHALL BE RETURNED TO IT UPON REQUEST. ALL PATENT RIGHTS RELATING HERETO ARE SPECIFICALLY RESERVED.