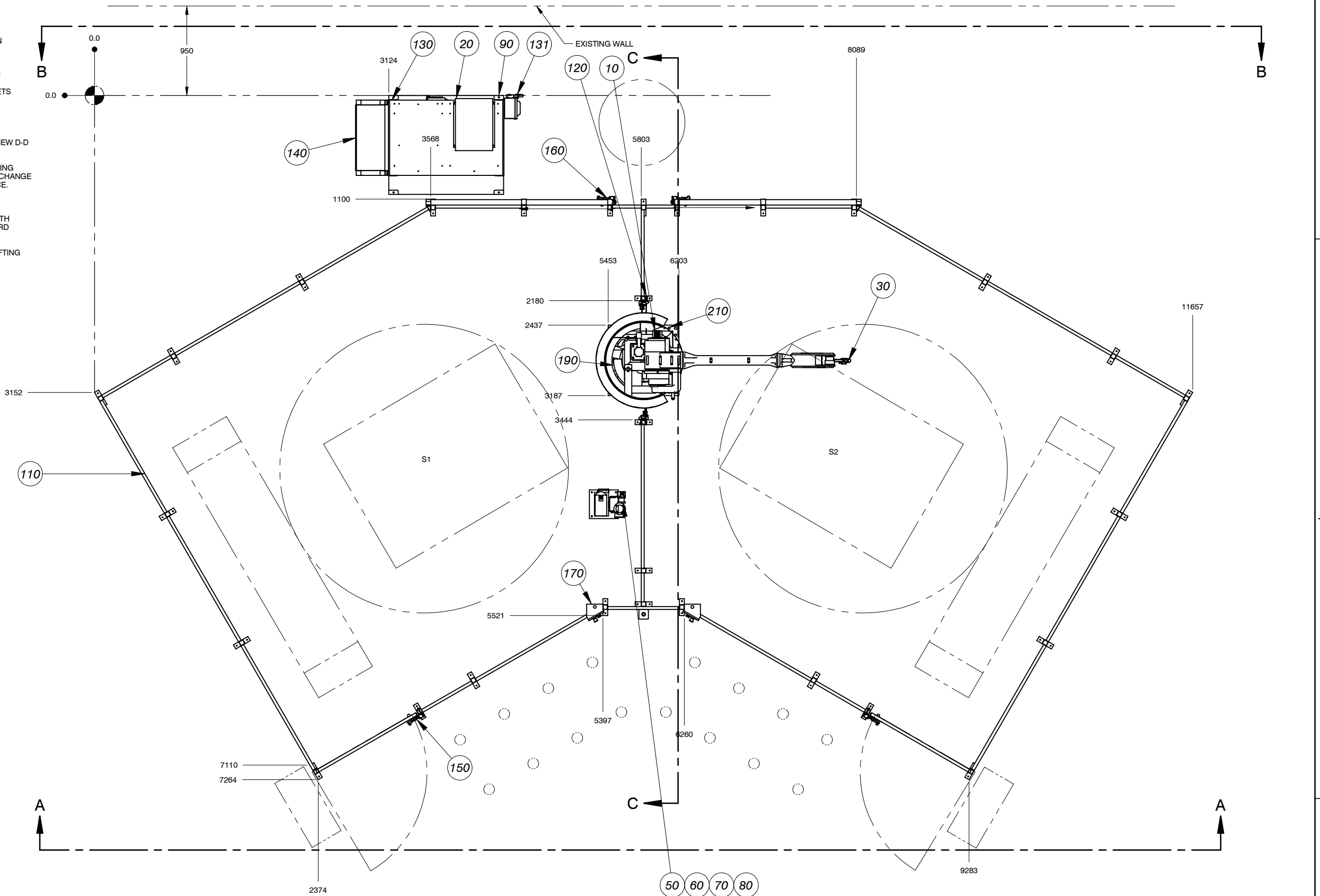


NOTES:

- 1 ALL DIMENSIONS ARE REFERENCE ONLY. FOR POSITIONER TABLE TOOLING CONSTRUCTION DIMENSIONS, CONTACT MOTOMAN, INC.
- 2 GENERAL INSTALLATION SEQUENCE:
  - A. STABILIZE AND LAG AT LOCATIONS DEFINED ON SUGGESTED CELL MOUNTING PLAN.
  - B. CONNECT POWER/CONTROL CABLES PER SHEETS 101 AND 102.
  - C. LOCATE OPERATORS STATION FOR OPERATOR CONVENIENCE WITHIN MAXIMUM REACH OF MOTOMAN SUPPLIED CABLES.
- 3 RESTRICT S-AXIS LIMIT OF ROBOT AS SHOWN IN VIEW D-D USING ROBOT BASE HARD STOPS.
- 4 BECAUSE MOTOMAN INC IS CONSTANTLY IMPROVING PRODUCTS, MOTOMAN RESERVES THE RIGHT TO CHANGE DESIGN AND/OR SPECIFICATIONS WITHOUT NOTICE.
- 5 FOR CABLE LAYOUT, REFER TO SHEET 102.
- 6 UNFINISHED STEEL SURFACES TO BE COATED WITH RUST INHIBITOR PER MOTOMAN DESIGN STANDARD SSGW-077, PARA. 3.3.2
- 7 TORQUE VALUES ARE TO BE PER MOTOMAN DRAFTING STANDARD SSGW-020, APPENDIX B, UNLESS OTHERWISE SPECIFIED



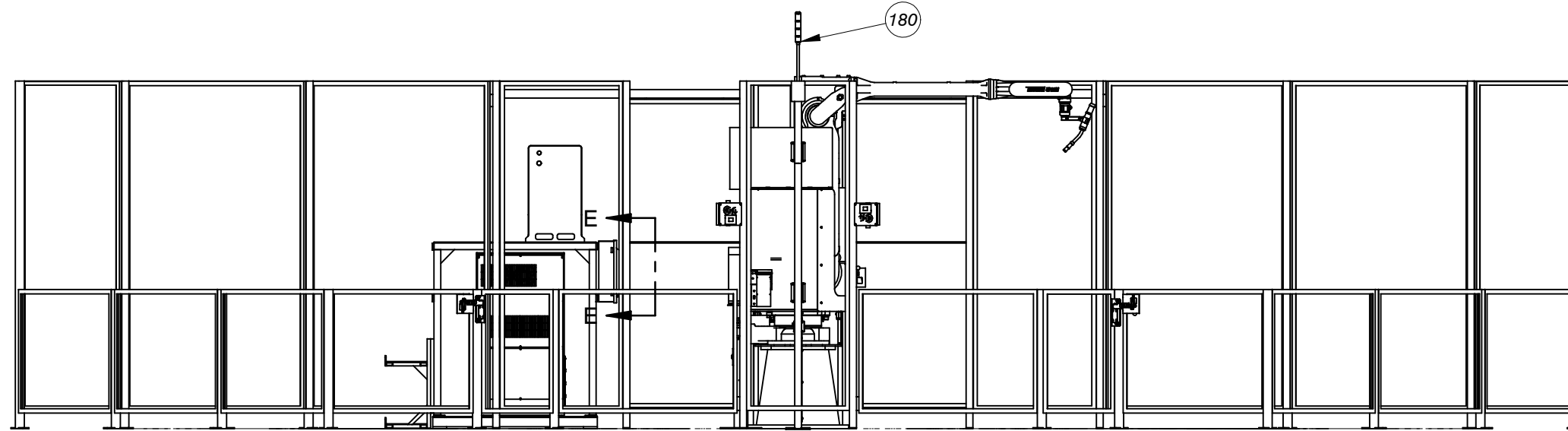
CHANGE RECORD				FILE NAME	DESIGNED	NOUN CODE
No	E.C.N.	DATE	APPROVAL	77782A001.dft	KAH	091
1					KAH 5/4/06	
2				FINISH		
3						
4						
5						
6						
7						
8						
9						
10						
11						
12						

**MOTOMAN** WEST CARROLLTON, OHIO 45449 USA  
a YASKAWA company

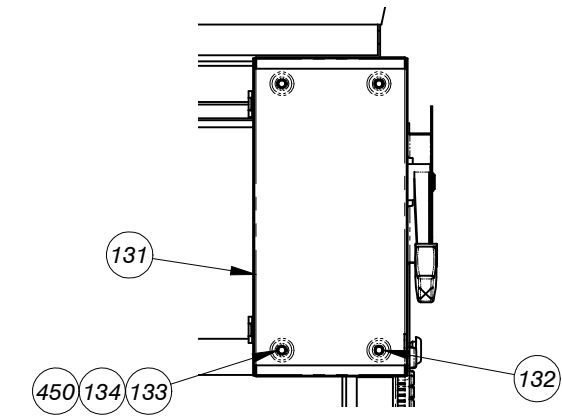
TITLE: CELL ASSEMBLY CONSTRUCTION PRODUCTS

DWG SIZE: A1 | DWG REV: 1:20 | SCALE: 1:20 | DWG NO: 77782A001 | SHEET 1 OF 2

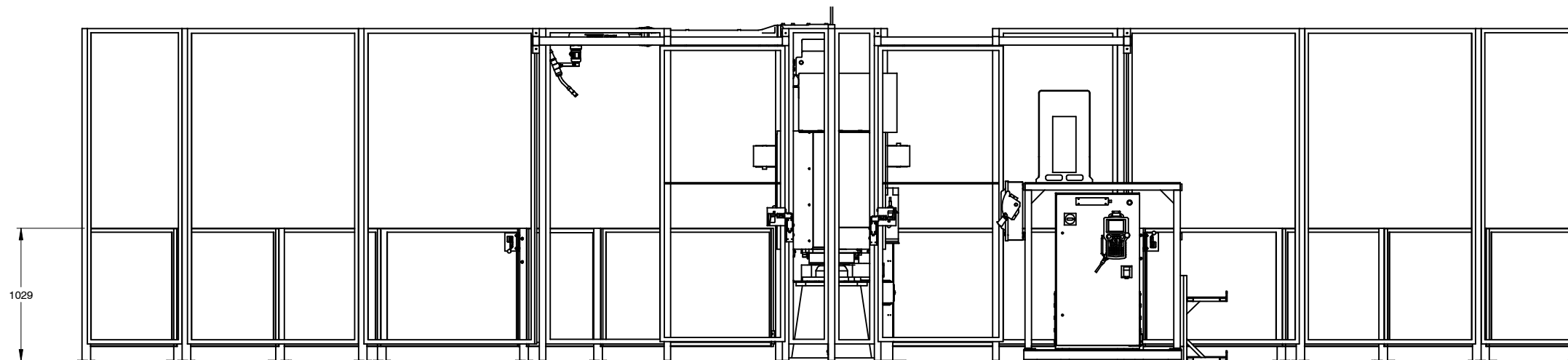
**CONFIDENTIAL:** THIS DRAWING CONTAINS A PROPRIETARY DESIGN ORIGINATED BY MOTOMAN INCORPORATED. NEITHER IT NOR THE INFORMATION APPEARING HEREON SHALL BE DISCLOSED, USED, OR DUPLICATED FOR ANY PURPOSE UNLESS SPECIFICALLY AUTHORIZED BY MOTOMAN INCORPORATED. THIS DRAWING IS THE PROPERTY OF MOTOMAN INCORPORATED AND SHALL BE RETURNED TO IT UPON REQUEST. ALL PATENT RIGHTS RELATING HERETO ARE SPECIFICALLY RESERVED.



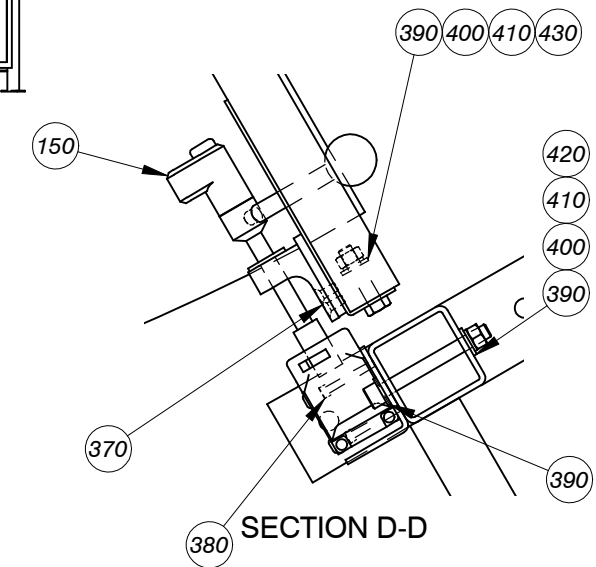
SECTION A-A



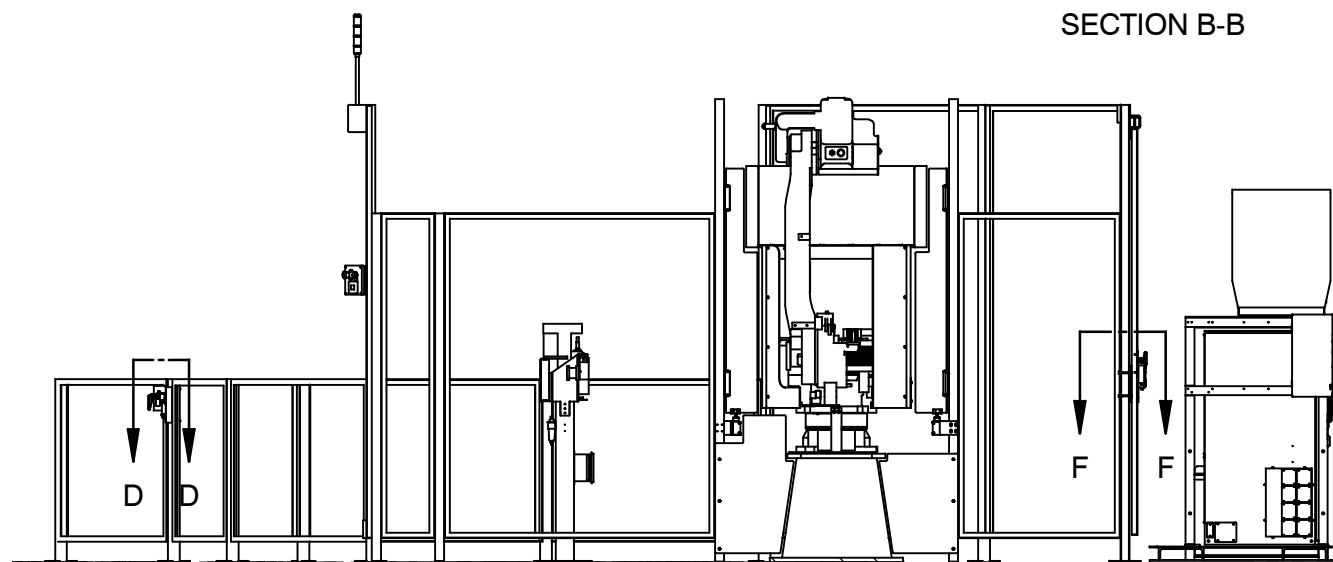
SECTION E-E



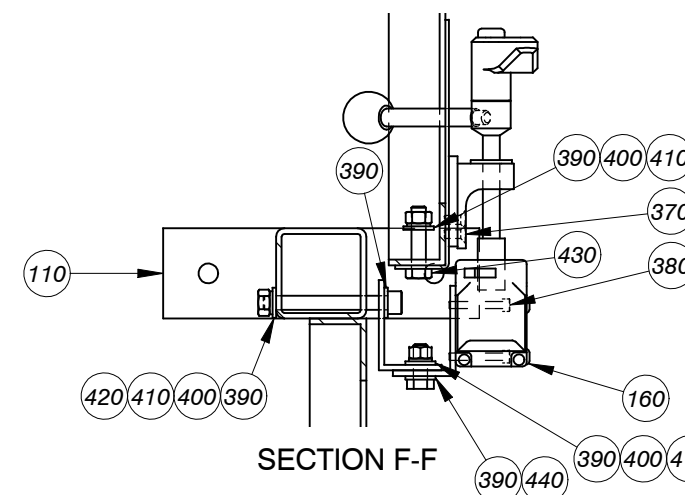
SECTION B-B



SECTION D-D



SECTION C-C



SECTION F-F

CHANGE RECORD				FILE NAME	DESIGNED	NOUN CODE
No	E.C.N.	DATE	APPROVAL	77782A001.dft	KAH	091
1					DRAWN	
2					KAH 5/4/06	
3					CHECKED	
4					APPROVAL	
5					APPROVAL	
6					APPROVAL	
7					APPROVAL	
8					APPROVAL	
9					RELEASE	
10						
11						
12						

**MOTOMAN** WEST CARROLLTON, OHIO 45449 USA  
a YASKAWA company

TITLE: CELL ASSEMBLY CONSTRUCTION PRODUCTS

DWG SIZE: A1 | DWG REV: 1:20 | SCALE: 1:20 | DWG NO: 77782A001

**CONFIDENTIAL:** THIS DRAWING CONTAINS A PROPRIETARY DESIGN ORIGINATED BY MOTOMAN INCORPORATED. NEITHER IT NOR THE INFORMATION APPEARING HEREON SHALL BE DISCLOSED, USED, OR DUPLICATED FOR ANY PURPOSE UNLESS SPECIFICALLY AUTHORIZED BY MOTOMAN INCORPORATED. THIS DRAWING IS THE PROPERTY OF MOTOMAN INCORPORATED AND SHALL BE RETURNED TO IT UPON REQUEST. ALL PATENT RIGHTS RELATING HERETO ARE SPECIFICALLY RESERVED.